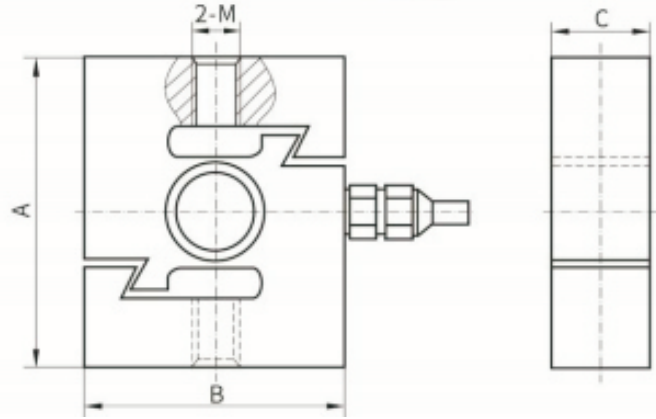


S-type Load Cells



GSL302



Rated load		Size(mm)			
kN	Kg/t	A	B	C	M
1~5	100~500kg	80	70	19	M12
10~15	1~1.5t	80	70	25.4	M12
20~50	2~5t	108	92	25.4	M18×1.5
100	10t	178	130	51	M30×2
200	20t	190	160	60	M30×2

FEATURES

- Alloy steel material, tension and pressure can be measured in both directions, with overload protection;
- Rubber seal, nickel plated, waterproof and anti-corrosion;
- Suitable for electronic hook scale, batching scale, packing scale, mechanical testing machine.

PARAMETER

Rated Load	1, 2, 2.5, 3, 5, 10, 15, 20, 30, 50, 100, 200(kN)		
Comprehensive Error	±0.02~0.05%F.S	Excitation, Recommended	10VDC
Rated Output	2.0mV/V	Safe Overload	150%F.S
Zero Balance	±1.0%F.S	Ultimate Overload	200%F.S
Creep	±0.02%F.S/30min	Insulation Resistance	≥5000MΩ(50VDC)
Input Resistance	380±10Ω	Cable	4-Wire Shielded Cable
Output Resistance	350±3Ω	Cable Length	< 5t , 3m ; ≥5t ' 6m
Temp.Effect on Output	±0.02%F.S/10℃	Ingress Protection	IP65
Temp.Effect on Zero	±0.02%F.S/10℃	Wiring Code	Exc+ : Red Exc- : Black
Operating Temp.Rang	-20~+65℃		Sig+ : Green Sig- : White