

## GWTM



### DESCRIPTION

The GWTM Cable Tension Meter is a specialized instrument designed for online tension measurement of wires, cables, optical fibers, and copper strands. It is suitable for use in high-speed rail, power, telecommunications, transportation, construction, and amusement park industries—anywhere where the measurement of copper strand tension is required.

### FEATURES

- **Online Monitoring:** There is no need to remove the rope for measurement; the system can measure taut ropes in real time. When the rope tension changes, users can observe the real-time tension fluctuations online, capture peak values, and set preset alarm thresholds.
- **Highly portable:** Featuring a high-strength aluminum alloy construction, it is lightweight, compact, and easy to carry.
- **Easy to use:** The loading mechanism features a lever design; simply push the instrument's handle all the way down to accurately measure the rope tension.
- **Stable Performance:** This tension meter offers stable performance and high measurement accuracy. When the specifications of the rope being measured match the meter's applicable range, measurement accuracy can reach 2% within the specified range.

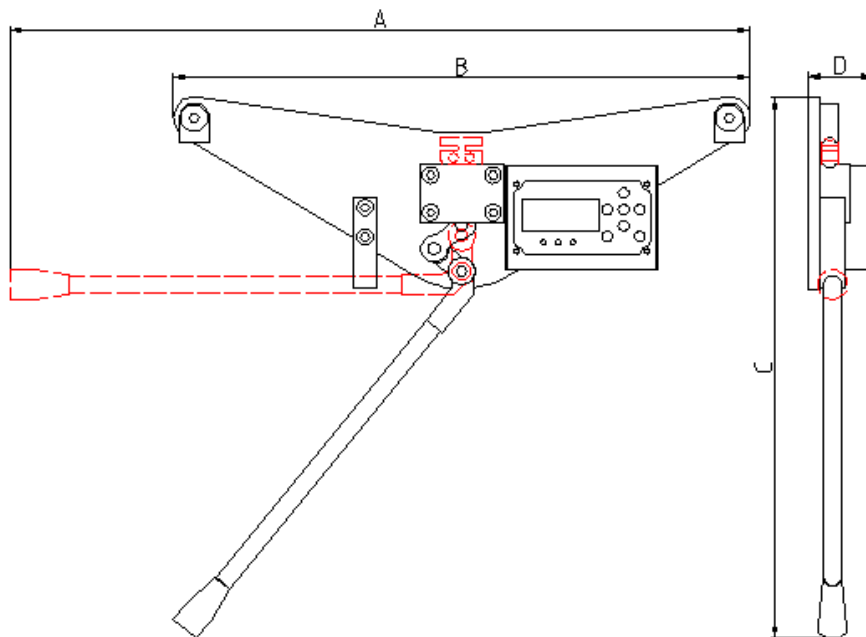
### SPECIFICATIONS

Model	Rated load(N)	Measured object	Wire diameter	Scale division (N)	Graduation(n)
GWTM-05	5000	Copper stranded wire	φ7.5mm	2	2500
GWTM-3	30000		φ14.0mm	10	3000

## TECHNICAL PARAMETERS

Measurement object	Copper stranded wire
Display	Character height:20mm /5–digit LCD display
Initial reset range	20% of Maximum capacity
Manual reset range	4% of maximum capacity
Stable reading time	≤10 sec.
Overload alarm	maximum capacity +9e
Safe load capacity	125% of maximum capacity
Ultimate load	400% of maximum capacity
Battery runtime	≥100 hours
Power supply	18650 lithium–ion battery,3.7V/2800mAh
Charger	4.2V/1A Lithium–ion Battery Charger
Operating temp. range	-10°C~ +40°C(14°F~104°F)
Operating humidity range	At 20°C, ≤85%

## DIMENSION



Model	A(mm)	B(mm)	C(mm)	D(mm)	Net Weight (kg)
GWTM-05	500	390	365	45	1.37
GWTM-3	620	410	490	50	2.6