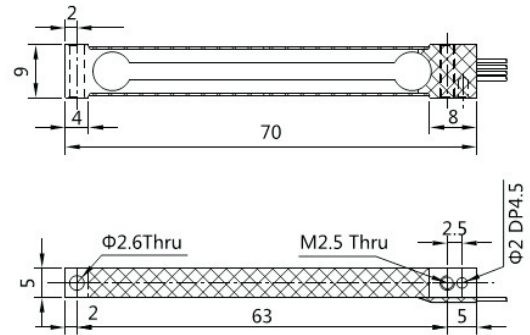


Micro Load Cell



GML612



FEATURES

- Aluminum alloy;
- Micro structure;
- Used for jewelry scale.

SPECIFICATIONS

Rated Capacity :20,30,50,100,200g	Excitation voltage:5~10VDC
Rated output(mV/V) :0.5±30%mV/V	Operation temp.range:-10~+40°C
Zero balance(%F.S) : ±0.1mV/V	Safe Overload:150%F.S.
Input resistance(Ω) : 1130±20Ω	Insulation Resistance:≧2000MΩ(50VDC)
Output resistance(Ω) : 1000±10Ω	Cable size:Ø0.6*0.1m
Non-Linearity:±0.05%F.S	Defend grade:IP67
Repeatability ±0.05%F.S	Wiring code: 4 Color pvc wires Red.....Exc(+) Black.....Exc(-) Green.....Sig(+) White.....Sig(-)
Hysteresis Error:±0.05%F.S	
Creep.:±0.05/2min	
Temp. effect on Output: ±0.05%R.O./10°C	
Temp. effect on zero: ±2%R.O./10°C	