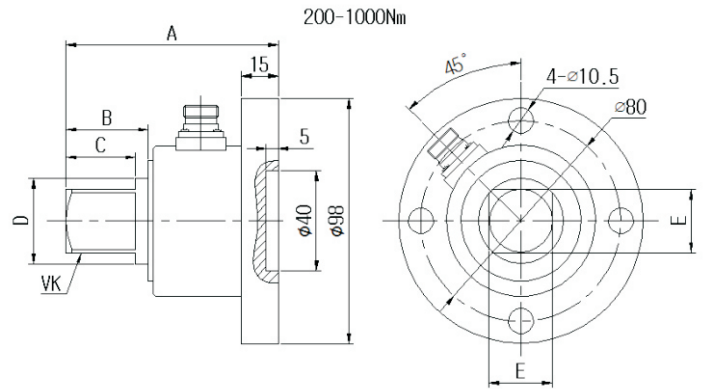
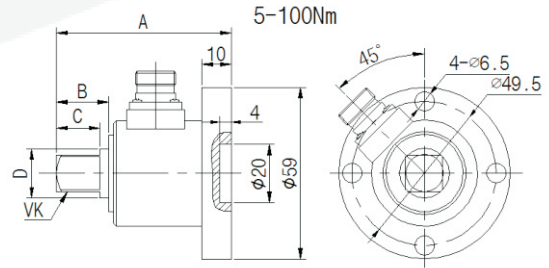


Static Torque Sensor



GTS308



FEATURES

- Static torque sensor, mV signal output;
- One end is the outer square bond connection, and one end is a flange plate connection;
- It is used to measure the torque value of static and discontinuous rotation in the middle and low ranges.

SPECIFICATION

Range	Size(mm)				
	VK	A	B	C	D
5-15	1/4"	52.5	10.5	7.5	φ8.5
20-50	3/8"	56	14	11	φ12.8
100	1/2"	60	18	15	φ17
200-500	3/4"	80	28	23	φ26
1000	1"	85	33	28	φ34

Range	5, 10, 20, 50, 100, 200, 300, 500(Nm)		
Accuracy	±0.1%F.S · ±0.2%F.S	Compensated Temp. Range	-10~+60℃
Rated Output	1.0~1.5±0.1mV/V	Operating Temp. Range	-20~+75℃
Zero Output	±1.0%F.S	Safe Overload	150%F.S
Excitation, Recommended	5~10VDC	Ultimate Overload	200%F.S
Temp. Effect on Span	±0.03%F.S/10℃	Electrical Interface	4pin Circular Connector
Temp. Effect on Zero	±0.03%F.S/10℃	Cable	4-Wire Shielded Cable, φ5.0mm×3m
Input Resistance	350±10Ω or 700±10Ω	Material	Stainless steel , Aluminum Alloy
Output Resistance	350±10Ω or 700±10Ω	Ingress Protection	IP65
Input Resistance	≥2000MΩ/100VDC	Wiring Code	E+ : Red E- : Black
Response Frequency	100us		S+ : Green S- : White