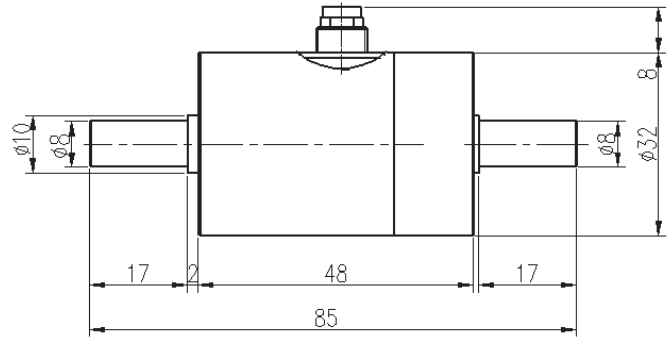


# Static Torque Sensor



## GTS305



### FEATURES

- Static torque sensor, mV signal output;
- Stainless steel shaft;
- It is used to measure the torque value of static and discontinuous rotation in the middle and low ranges.

### SPECIFICATION

Range	0.1,0.2,0.5,1,2,3(Nm)		
Accuracy	$\pm 0.1\%F.S. \pm 0.3\%F.S$	Compensated Temp.Range	-10~+60℃
Rated Output	0.6~1.3 $\pm 0.1mV/V$	Operating Temp.Range	-20~+75℃
Zero Output	$\pm 1.0\%F.S$	Safe Overload	150%F.S
Excitation,Recommended	5~10VDC	Ultimate Overload	200%F.S
Temp.Effect on Span	$\pm 0.03\%F.S/10^{\circ}C$	Electrical Interface	4pin Circular Connector
Temp.Effect on Zero	$\pm 0.03\%F.S/10^{\circ}C$	Cable	4-Wire Shielded Cable, $\Phi 5.0mm \times 3m$
Input Resistance	350 $\pm 10\Omega$ or 750 $\pm 10\Omega$	Material	Stainless steel ,Aluminum Alloy
Output Resistance	350 $\pm 10\Omega$ or 750 $\pm 5\Omega$	Ingress Protection	IP65
Input Resistance	$\geq 5000M\Omega/100VDC$	Wiring Code	E+ : Red    E- : Black
Response Frequency	100us		S+ : Green    S- : White