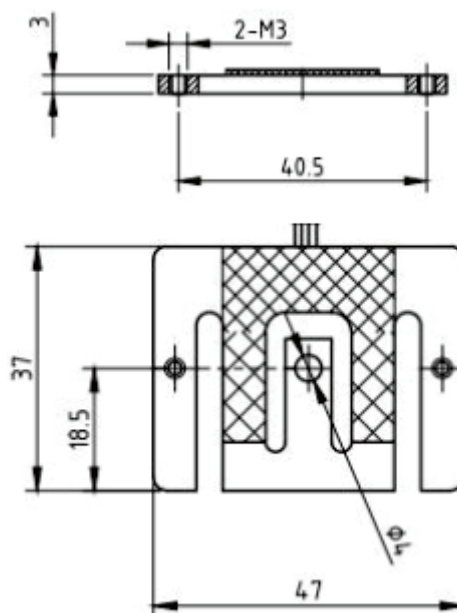
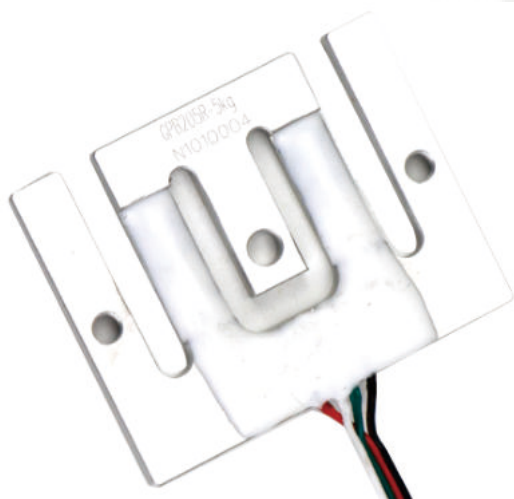


Parallel Beam Load Cell



GPB205R



FEATURES

- Aluminum alloy, surface anodized and anticorrosion;
- Very low profile, matched output;
- Suitable for low profile infant and adult medical scales, low profile platform scales etc.

PARAMETERS

Rated Load	5, 10, 20, 25(kg)	Compensated Temp Range	-10~+40℃
Comprehensive Error	0.05%F.S	Operating Temp Range	-20~+60℃
Rated Output	1.5±0.2mV/V	Excitation, Recommended	3~15VDC
Zero Balance	±0.05mV/V	Excitation, Maximum	6~12VDC
Linearity Error	±0.05%F.S	Safe Overload	150%F.S
Repeatability Error	±0.05%F.S	Ultimate Overload	200%F.S
Hysteresis Error	±0.05%F.S	Insulation Resistance	≥5000MΩ(100VDC)
Creep	±0.05%F.S/5min	Cable	4 Color PVC Wires
Input resistance	395±20Ω	Cable Length	Φ1.0×L300mm
Output resistance	350±5Ω	Ingress Protection	IP65
Temp.Effect on Output	±0.05%F.S/10℃	Wiring Code	Exc+ : Red Exc- : Black
Temp.Effect on Zero	±0.05%F.S/10℃		Sig+ : Green Sig- : White