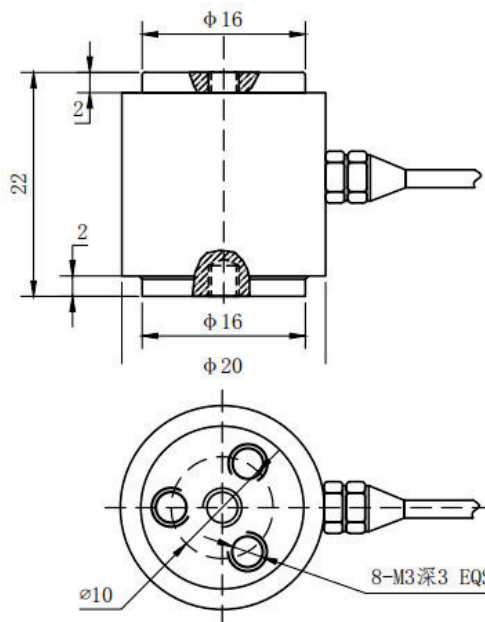
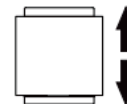


GML675



FEATURES

- Stainless steel, tension and compression
- Micro sensor, low height, small deformation, dynamic response frequency is high
Mainly used for pushing tension meter, injection molding and mold industry, robot grab, pumped, pull pressure
- detection and control, car assembly force value, etc.

PARAMETERS

Rated Load	20,50,100,200,300,500,1000,2000(N)		
Comprehensive Error	$\leq \pm 0.1\% \text{F.S}$	Compensated Temp Range	-10 ~ +60°C
Rated Output	1.0/2.0 $\pm 10\% \text{mV/V}$	Operating Temp Range	-20 ~ +80°C
Zero Balance	$\pm 2.0\% \text{F.S}$	Excitation, Recommended	5 ~ 15V
Linearity Error	0.1%F.S	Safe Overload	150%F.S
Creep	$\pm 0.1\% \text{F.S}/30\text{min}$	Ultimate Overload	200%F.S
Input Resistance	650/350 $\pm 10\Omega$	Insulation Resistance	IP66
Output Resistance	650/350 $\pm 10\Omega$	Ingress Protection	$\geq 5000\text{M}\Omega(100\text{VDC})$
Temp. Effect on Span	$\pm 0.05\% \text{F.S}/10^\circ\text{C}$	Wiring Code	Exc+ : Red Exc- : Black
Temp. Effect on Zero	$\pm 0.05\% \text{F.S}/10^\circ\text{C}$		Sig+ : Green Sig- : White