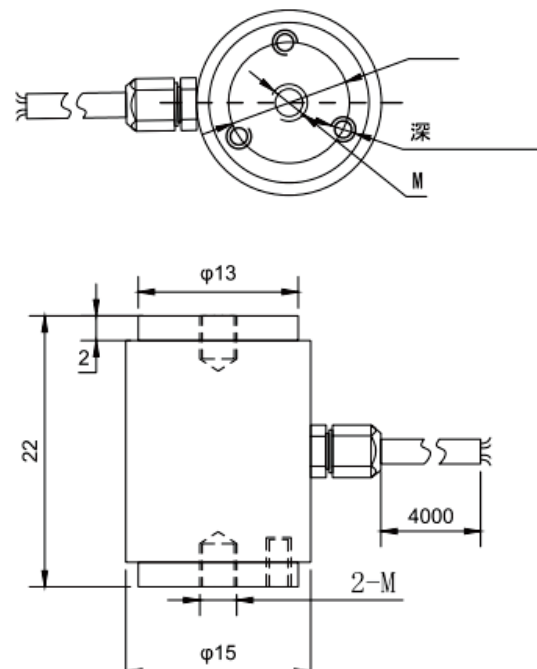


GML674



FEATURES

- Stainless steel, tension and compression ;
- The micro sensor, low altitude, the deformation is small Two-way cylindrical shape ;
- Mainly for the push, pull, all kinds of industrial weighing system and so on.

PARAMETERS

Rated Load		Size
N	kg	M
10,20,50	1,2,5	M3
10,20,50	1,2,5	M4
100,200,300,500	10,20,30,50	M4

Rated Load	10,20,50,100,150,200,300,500(N)		
Comprehensive Error	$\leq \pm 0.3\% \text{F.S}$	Compensated Temp Range	-10 ~ +60°C
Rated Output	1.0/2.0 $\pm 10\%$ mV/V	Operating Temp Range	-20 ~ +80°C
Zero Balance	$\pm 2.0\% \text{F.S}$	Excitation, Recommended	5 ~ 15V
Linearity Error	0.3% F.S	Safe Overload	150% F.S
Creep	$\pm 0.05\% \text{F.S}/30\text{min}$	Ultimate Overload	200% F.S
Input Resistance	350 $\pm 20\Omega$	Insulation Resistance	$\geq 5000 \text{M}\Omega (100 \text{VDC})$
Output Resistance	350 $\pm 5\Omega$	Ingress Protection	IP66
Temp. Effect on Span	$\pm 0.05\% \text{F.S}/10^\circ\text{C}$	Wiring Code	Exc+ : Red Exc- : Black
Temp. Effect on Zero	$\pm 0.05\% \text{F.S}/10^\circ\text{C}$		Sig+ : Green Sig- : White