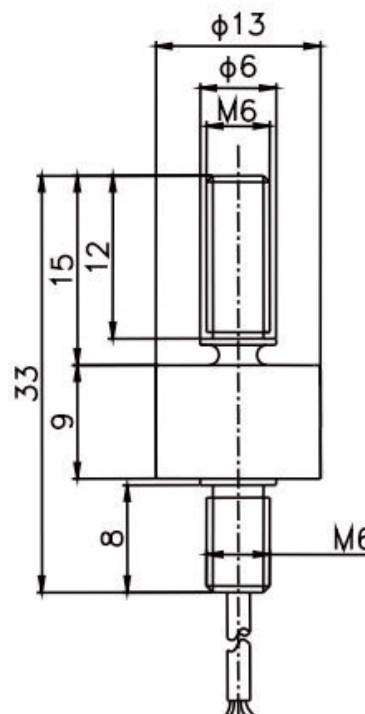
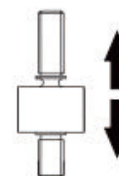


GML668D



FEATURES

- Stainless steel or aluminum alloy ;
- Miniature load cell with metal foil strain gauge technology ;
- The product is mainly suitable for force measurement in limited spaces, widely used for industrial measurement and control, R&D and other applications.

PARAMETERS

Rated Load	20,50,100,150,200,300,500,1000(N)		
Comprehensive Error	$\leq \pm 0.5\% \text{F.S}$	Compensated Temp Range	-10~+60℃
Rated Output	1.0/2.0±20% mV/V	Operating Temp Range	-20~+80℃
Zero Balance	±2.0% F.S	Excitation, Recommended	5~10V
Linearity Error	0.5% F.S	Safe Overload	150% F.S
Creep	±0.25% F.S/30min	Ultimate Overload	200% F.S
Input Resistance	800±10Ω	Insulation Resistance	≥5000MΩ(100VDC)
Output Resistance	800±5Ω	Ingress Protection	IP66
Temp. Effect on Span	±0.05% F.S/10℃	Wiring Code	Exc+ : Red Exc- : Black
Temp. Effect on Zero	±0.05% F.S/10℃		Sig+ : Green Sig- : White