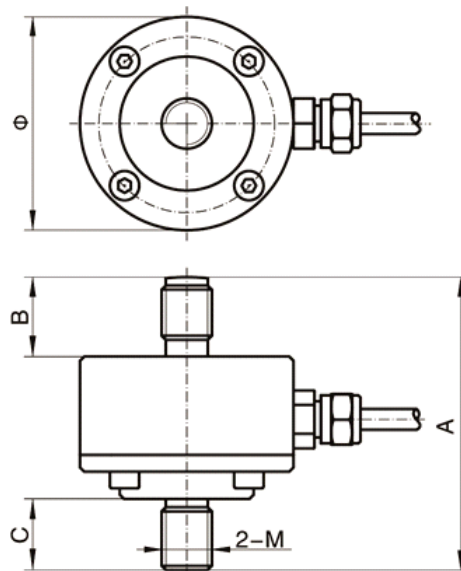


GML668A



FEATURES

- Stainless steel, two-way tension and compression ;
- The product is mainly suitable for all kinds of batchings scale, hopper scale, hook scale and other electronic force measuring and weighing equipment. ;

Rated Load kN	Size(mm)				
	A	B	C	φ	M
0.1~0.5	37.5	12	11.5	26	M5
0.5~10	70	19	17	51	M12
20	75	19	17	51	M12

PARAMETERS

Rated Load	0.1, 0.2, 0.3, 0.5, 1, 2, 5, 10, 20(kN)		
Comprehensive Error	±0.3%F.S	Operation Temp.Range	-20~+65℃
Rated Output	1.0~2.0mV/V	Excitation,Recommended	9~12VDC
Zero Balance	±1%F.S	Safe Overload	150%F.S
Creep	±0.1%F.S/30min	Ultimate Overload	200%F.S
Input Resistance	380±10Ω	Insulation Resistance	≥5000MΩ(100VDC)
Output Resistance	350±3Ω	Ingress Protection	IP66
Temp. Effect on Span	±0.05%F.S/10℃	Wiring Code	Exc+ : Red Exc- : Black
Temp. Effect on Zero	±0.05%F.S/10℃		Sig+ : Green Sig- : White