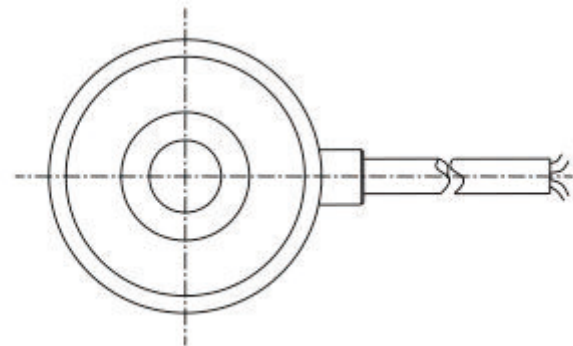
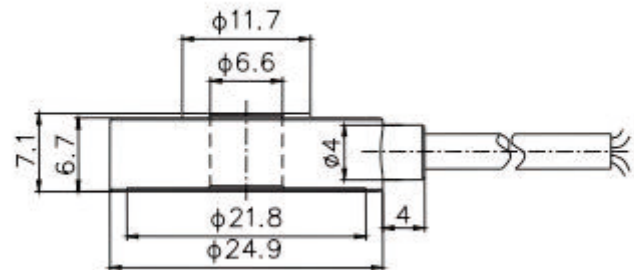
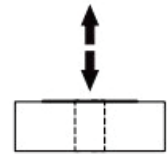


Force Washer Sensor



GML640



FEATURES

- Stainless steel ;
- Circular design,height is low,and the deformation is small ;
- The dynamic response frequency is high;
- Special used for automated assembly,3C product testing,robot industry.

PARAMETERS

Rated Load	50,100,200,500,1000(N)		
Comprehensive Error	$\leq \pm 0.5\% \text{F.S}$	Compensated Temp Range	-10~+60℃
Rated Output	1.5±20% mV/V	Operating Temp Range	-20~+80℃
Zero Balance	±2.0% F.S	Excitation,Recommended	5~12V
Linearity Error	0.5% F.S	Safe Overload	150% F.S
Creep	±0.5% F.S/30min	Ultimate Overload	200% F.S
Input Resistance	700±20Ω	Insulation Resistance	≥5000MΩ/100VDC
Output Resistance	700±10Ω	Ingress Protection	IP66
Temp. Effect on Span	±0.05% F.S/10℃	Wiring Code	Exc+ : Red Exc- : Black
Temp. Effect on Zero	±0.05% F.S/10℃		Sig+ : Green Sig- : White