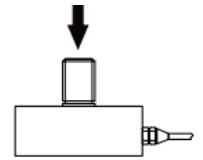
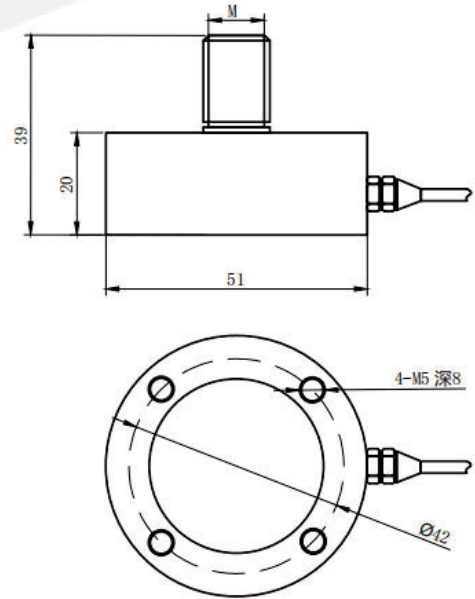


# Compression Force Sensor



## GML665



### FEATURES

- Stainless steel
- Appearance size, big span;
- Suitable for all kinds of little space load, thread force monitoring.

Rated Load		Size
kN	kg	M
0.5, 1, 2, 3, 5, 10, 20	50, 100, 200, 300, 500, 1000, 2000	M12
30, 50	3000, 5000	M16

### PARAMETERS

Rated Load	20, 50, 100, 200, 300, 500, 1000(N)		
Comprehensive Error	$\leq \pm 0.1\% \text{F.S}$	Compensated Temp Range	-10 ~ +60°C
Rated Output	2.0 ± 10% mV/V	Operating Temp Range	-20 ~ +80°C
Zero Balance	±2.0% F.S	Excitation, Recommended	5 ~ 15V
Linearity Error	0.1% F.S	Safe Overload	150% F.S
Creep	±1.0% F.S/30min	Ultimate Overload	200% F.S
Input Resistance	750 ± 20Ω	Insulation Resistance	≥ 5000MΩ (100VDC)
Output Resistance	700 ± 10Ω	Ingress Protection	IP66
Temp. Effect on Span	±0.05% F.S/10°C	Wiring Code	Exc+ : Red Exc- : Black
Temp. Effect on Zero	±0.05% F.S/10°C		Sig+ : Green Sig- : White