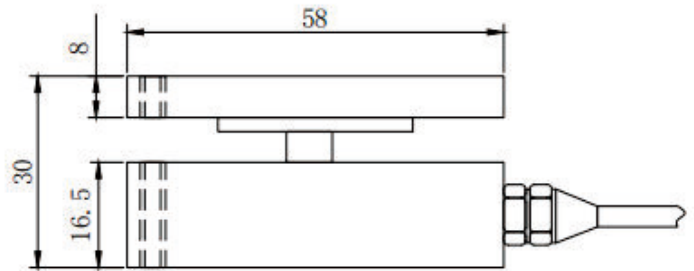
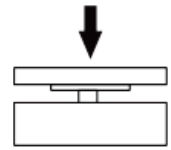


# Compression Force Sensor

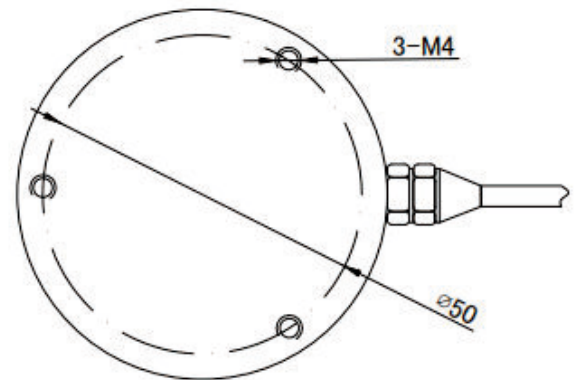


## GML657



### FEATURES

- Stainless steel
- Super Micro structure
- Special used for force measuring in a narrow space.



### PARAMETERS

Rated Load	0.2,0.3,0.5,1,2,3,5,10,20,30,50,100(kN)		
Comprehensive Error	$\leq \pm 0.3\%F.S$	Compensated Temp Range	-10~+60℃
Rated Output	1.5±20% <i>mV/V</i>	Operating Temp Range	-20~+80℃
Zero Balance	±1.0% <i>F.S</i>	Excitation,Recommended	10~15 <i>V</i>
Linearity Error	0.3% <i>F.S</i>	Safe Overload	150% <i>F.S</i>
Creep	±0.1% <i>F.S/30min</i>	Ultimate Overload	200% <i>F.S</i>
Input Resistance	350±50Ω	Insulation Resistance	≥2000 <i>MΩ</i> (100 <i>VDC</i> )
Output Resistance	350±5Ω	Ingress Protection	IP67
Temp. Effect on Span	±0.1% <i>F.S/10℃</i>	Wiring Code	Exc+ : Red Exc- : Black
Temp. Effect on Zero	±0.1% <i>F.S/10℃</i>		Sig+ : Green Sig- : White