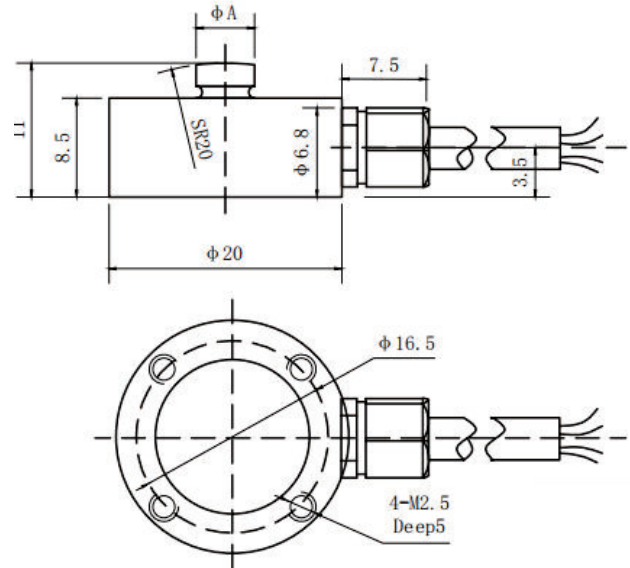
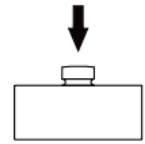


Compression Force Sensor



GML654



FEATURES

- Stainless steel :
- Super Micro structure :
- Special used for force measuring in a narrow space.

Rated Load		Size
kN	kg	A(mm)
0.02,0.05 , 0.1,0.2,0.5,1,2,5	2,5,10,20,50,100,200,500	5
10 , 20	1000,2000	7

PARAMETERS

Rated Load	20,50,100,200,500(N),1,2,5,10,20(kN)		
Comprehensive Error	$\leq \pm 0.1\%F.S$	Compensated Temp Range	-10~+60℃
Rated Output	1.0/2.0 $\pm 20\%$ mV/V	Operating Temp Range	-20~+80℃
Zero Balance	$\pm 2.0\%F.S$	Excitation,Recommended	5~12V
Linearity Error	0.1%F.S	Safe Overload	150%F.S
Creep	$\pm 0.5\%F.S/30min$	Ultimate Overload	200%F.S
Input Resistance	350 $\pm 5/800 \sim 1100\Omega$	Insulation Resistance	$\geq 5000M\Omega(100VDC)$
Output Resistance	350 $\pm 10/800 \sim 1100\Omega$	Ingress Protection	IP66
Temp. Effect on Span	$\pm 0.05\%F.S/10^\circ C$	Wiring Code	Exc+ : Red Exc- : Black
Temp. Effect on Zero	$\pm 0.05\%F.S/10^\circ C$		Sig+ : Green Sig- : White