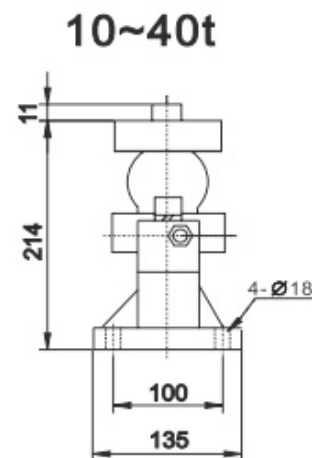
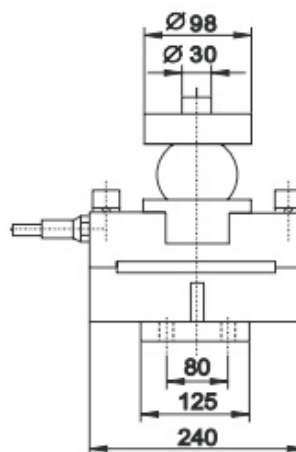


Bridge-type Load Cells



GBS800



FEATURES

- Alloy steel, laser welding or sealant treatment, nickel plating surface;
- Double shear beam structure, steel ball and steel bowl;
- Suitable for truck scales, railway scales, and other electronic weighing equipment.

SPECIFICATION

Rated Load	10,20,25,30,40(t)		
Accuracy Class	C3	Compensated Temp. Range	-10~+40°C
Comprehensive Error	±0.02%F.S	Operating Temp. Range	-30~+70°C
Rated Output	2.0±0.004mV/V	Excitation, Recommended	5~12VDC
Zero Balance	±1.5%F.S	Excitation, Maximum	18VDC
Linearity Error	±0.02%F.S	Safe Overload	150%F.S
Repeatability Error	±0.02%F.S	Ultimate Overload	250%F.S
Hysteresis Error	±0.02%F.S	Insulation Resistance	≥5000MΩ(50VDC)
Creep	±0.03%F.S/30min	Cable	4-Wire Shielded Cable
Input Resistance	750±3Ω	Cable Length	Φ5.7mm×12m
Output Resistance	700±3Ω	Ingress Protection	IP68
Temp. Effect on Output	±0.02%F.S/30min	Wiring Definitions	Exc+: Red Exc-: Black
Temp. Effect on Zero	±0.02%F.S/30min		Sig+: Green Sig-: White