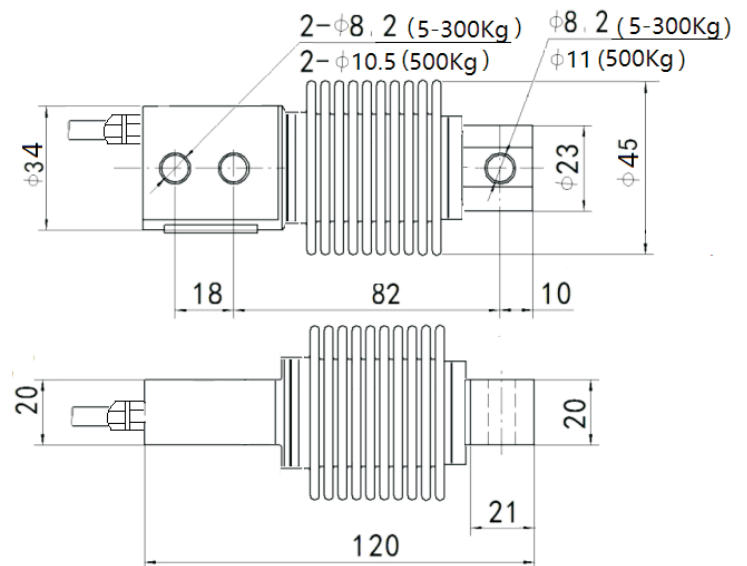


Single ended bending beam load cells



GSB211B



FEATURES

- Single ended bending beam type, the load body and bellows are made of stainless steel, welded and sealed, and pressure-bearing
- Suitable for belt scales, electronic platform scales, hopper scales and other electronic weighing equipment.

SPECIFICATION

Rated Load	5, 10, 20, 30, 50, 100, 200, 300, 500(kg)		
Accuracy Class	C3	Compensated Temp. Range	-10~+40°C
Comprehensive Error	±0.02%F.S	Operating Temp. Range	-35~+70°C
Rated Output	2.0±0.002mV/V	Excitation, Recommended	5~12VDC
Zero Output	±1.0%F.S	Maximum, Recommended	3~15VDC
Linearity Error	±0.02%F.S	Safe Overload	150%F.S
Repeatability Error	±0.02%F.S	Ultimate Overload	200%F.S
Hysteresis Error	±0.02%F.S	Insulation Resistance	≧5000MΩ(50VDC)
Creep	±0.016%F.S/30min	Cable	PU 4-Wire Shielded Cable
Input Resistance	460±60Ω	Cable Length	Φ4.8mm×3m
Output Resistance	350±3.5Ω	Ingress Protection	IP68
Temp. Effect on Output	±0.011%F.S/10°C	Wiring Definitions	Exc+: Red Exc-: Black
Temp. Effect on Zero	±0.015%F.S/10°C		Sig+: Green Sig-: White