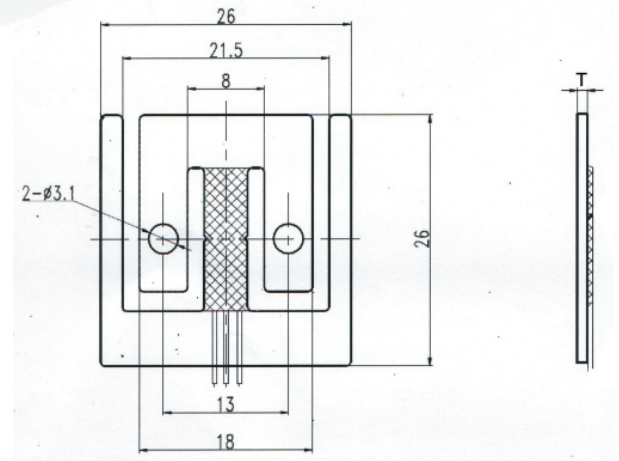


GML623A



Rated Load(kg)	3	5	5
T (mm)	1.0	1.5	1.5
Rated Output(mV/V)	0.8	1.0	1.0

FEATURES

- Made of manganese steel, silicone seal, environmentally friendly galvanized surface;
- Half bridge, three wires(red, black,white),4 pcs in a set;
- Matching black feet, the outer beam is fixed, and the black feet bear force;
- Mainly suitable for electronic kitchen scales, coffee scales, pet scales and other electronic weighing equipment.

SPECIFICATION

Rated Load	3,5,7.5(kg)		
Comprehensive Error	±0.1%F.S	Operating Temp.Range	-10~+40℃
Rated Output	0.8~1.0±0.15mV/V	Excitation,Recommended	5VDC
Zero Balance	±0.6mV/V	Excitation,Maximum	3~10VDC
Linearity Error	±0.1%F.S	Safe Overload	120%F.S
Repeatability Error	±0.05%F.S	Ultimate Overload	150%F.S
Hysteresis Error	±0.05%F.S	Insulation Resistance	≥2000MΩ(50VDC)
Creep	±0.05%F.S/3min	Cable	3 Color PVC Wires
Input Resistance	500±10Ω	Cable Length	φ0.6×200mm
Output Resistance	500±10Ω	Ingress Protection	IP65
Temp. Effect on Span	±0.1%F.S/10℃	Four-angle Error	1.0%F.S
Temp. Effect on Zero	±0.1%F.S/10℃	Wiring Code	Common:Red; S+:Black; S-:White