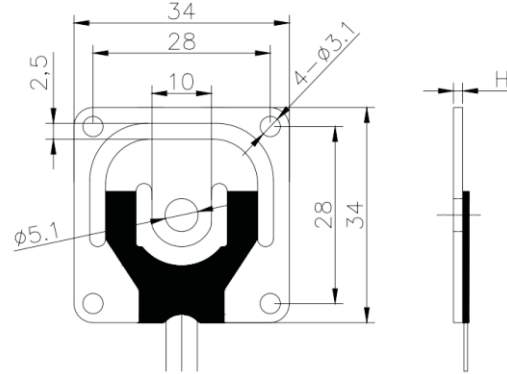
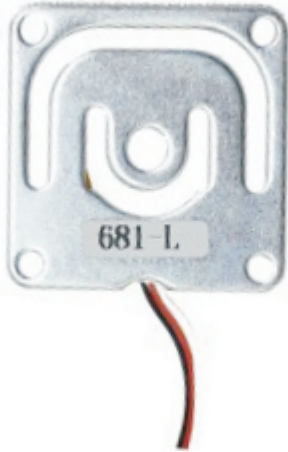


Micro Load Cell

Half bridge with center through hole



GML670



Range(kg)	5	10	30	50	75	100	150
H(mm)	1.0	1.5	2.0	2.5	3.0	3.0	4.0

FEATURES

- Manganese steel material ,Surface environmental protection electroplating galvanized or electrophoresis (black),
- 4-φ3.1 hole fixed,centre through-hole φ5.1 is Stress points · measurement of tension and compression ;
- Half bridge structure ,3 wires (red,black,white),4pcs in a set ;
- Application: body scale,Fat &Water Scale and other miniature electronic weighing equipment.

SPECIFICATION

Rated Load	5, 10, 30, 50, 75, 100, 150(kg)		
Comprehensive Error	±0.05%F.S	Operating Temp.Range	-10~+40℃
Rated Output	0.5~1.15±0.15mV/V	Excitation,Recommended	5VDC
Zero Balance	±0.3mV/V	Excitation,Maximum	3~10VDC
Linearity Error	±0.05%F.S	Safe Overload	120%F.S
Repeatability Error	±0.05%F.S	Ultimate Overload	150%F.S
Hysteresis Error	±0.05%F.S	Insulation Resistance	≥2000MΩ(50VDC)
Creep	±0.05%F.S/3min	Cable	Three color PVC wires
Input Resistance	1000±10%Ω	Cable Length	φ0.8×450mm
Output Resistance	1000±10%Ω	Ingress Protection	IP65
Temp. Effect on Span	±0.1%F.S/10℃	Four-angle Error	1.0%F.S
Temp. Effect on Zero	±0.1%F.S/10℃	Wiring Code	Common:Red; S+:Black;S-:White

Rated Output Datasheet

Range(kg)	Thickness(mm)	Number of use(pcs)	Max Range (kg)	Rated Output(mV/V)	Remark
5	1.0	4	20	0.6±0.05	The sensitivity are the single-piece test output values. Four pieces half-bridge sensor form a full-bridge. Full-bridge sensitivity = single sensitivity × 2, and total range = single range × 4.
10	1.5	4	40	0.5±0.05	
30	2.0	4	120	0.9±0.1	
50	2.5	4	200	0.9±0.1	
75	3.0	4	300	0.9±0.1	
100	3.0	4	400	1.15±0.15	
150	4.0	4	600	0.75±0.15	