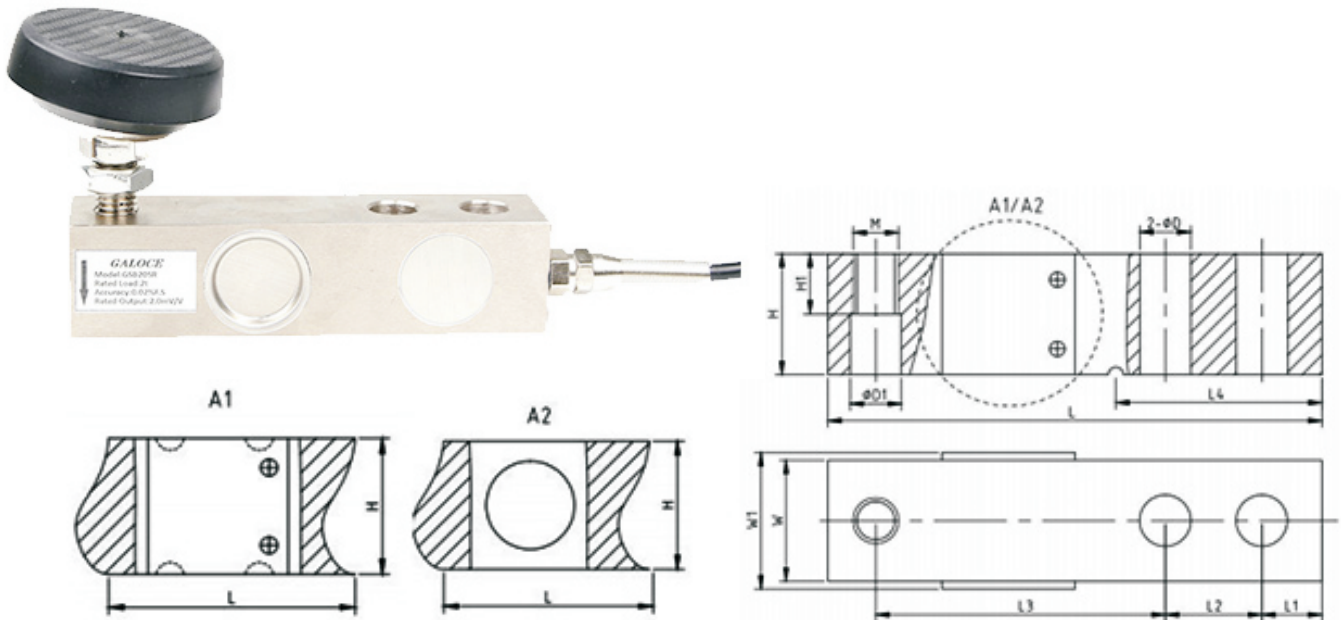


Shear beam load cells



GSB205R



Rated load	Size(mm)												
	L	L1	L2	L3	L4	W	W1	H	H1	D	D1	M	A1/A2
0.1~0.3	130	15.8	25.4	76.2	54.2	31.8	34	31.8	15.8	13.5	13.5	M12×1.75	A1
0.5~3	130	15.8	25.4	76.2	54.2	31.8	31.8	31.8	15.8	13.5	13.5	M12×1.75	A2
5	171.5	19.1	38.1	95.3	77.2	38.1	38.1	38.1	18.8	19.8	19.8	M18×1.5	

FEATURES

- Alloy steel material, spring wire, nickel plated surface, anti-corrosion, laser welding seal treatment;
- M12 or M18 thread, sensitivity 2.0 or 3.0mV/V;
- One end is fixed and the other end is loaded with rubber legs and gaskets;
- Suitable for ground scale, electronic platform scale and other electronic weighing equipment.

SPECIFICATION

Rated Load	0.1,0.2,0.3,0.5,1,2,3,5(t)		
Accuracy Class	C3	Compensated Temp.Range	-10~+60℃
Comprehensive Error	±0.02%F.S	Operating Temp.Range	-35~+80℃
Rated Output	2.0 or 3.0±0.005mV/V	Excitation,Recommended	5~12VDC
Zero Balance	±1.0%F.S	Excitation,Maximum	3~15VDC
Linearity Error	±0.02%F.S	Safe Overload	150%F.S
Repeatability Error	±0.02%F.S	Ultimate Overload	200%F.S
Hysteresis Error	±0.02%F.S	Insulation Resistance	≥5000MΩ(50VDC)
Creep	±0.02%F.S/30min	Cable	4-wire shielded cable
Input Resistance	375±10Ω	Cable Length	Φ5mm×3m
Output Resistance	350±5Ω	Ingress Protection	IP65
Temp.Effect on Output	±0.02%F.S/10℃	Wiring Code	Exc+: Red Exc-: Black
Temp.Effect on Zero	±0.02%F.S/10℃		Sig+: Green Sig-: White