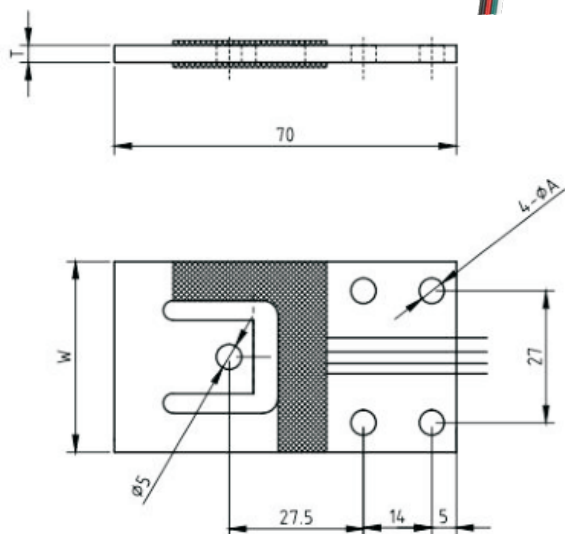
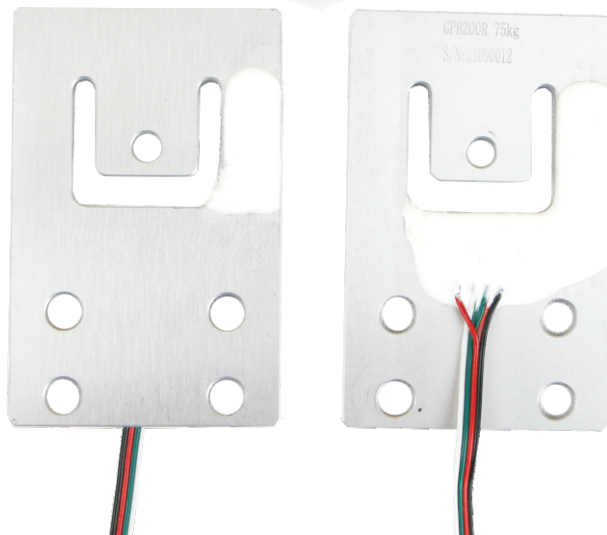


Planar beam load cells



GPB200R



Range(kg)	ϕA (mm)	T(mm)	W(mm)
7.5	5.1	1.8	39
15	5.1	2.5	39
30	5.1	3.5	39
75	6.1	4.5	45
150	6.1	5.5	45
300	6.1	7.75	45
600	6.1	10.8	45

FEATURES

- Aluminum alloy, surface anodized and anticorrosion;
- Very low profile, matched output;
- Suitable for low profile infant and adult medical scales, low profile platform scales, personal scales, airport baggage scales, postal scales etc.

SPECIFICATION

Rated Load	7.5, 15, 30, 75, 150, 300, 600(kg)		
Comprehensive Error	0.05%F.S	Compensated Temp Range	-10~+40℃
Rated Output	7.5, 15, 30, 75(kg):1.0mV/V	Operating Temp Range	-20~+60℃
	150, 300, 600(kg):1.5mV/V	Excitation, Maximum	3~15VDC
Zero Balance	±0.05mV/V	Excitation, Recommended	6~12VDC
Linearity Error	±0.05%F.S	Safe Overload	150%F.S
Repeatability Error	±0.02%F.S	Ultimate Overload	200%F.S
Hysteresis Error	±0.02%F.S	Insulation Resistance	≥5000MΩ(50VDC)
Creep	±0.02%F.S/5min	Cable	4 Color PVC Wires
Input Resistance	1090±30Ω	Cable Length	Φ1.0×600mm
Output Resistance	1000±10Ω	Ingress Protection	IP65
Temp.Effect on Output	±0.05%F.S/10℃	Wiring Code	Exc+: Red Exc-: Black
Temp.Effect on Zero	±0.05%F.S/10℃		Sig+: Green Sig-: White