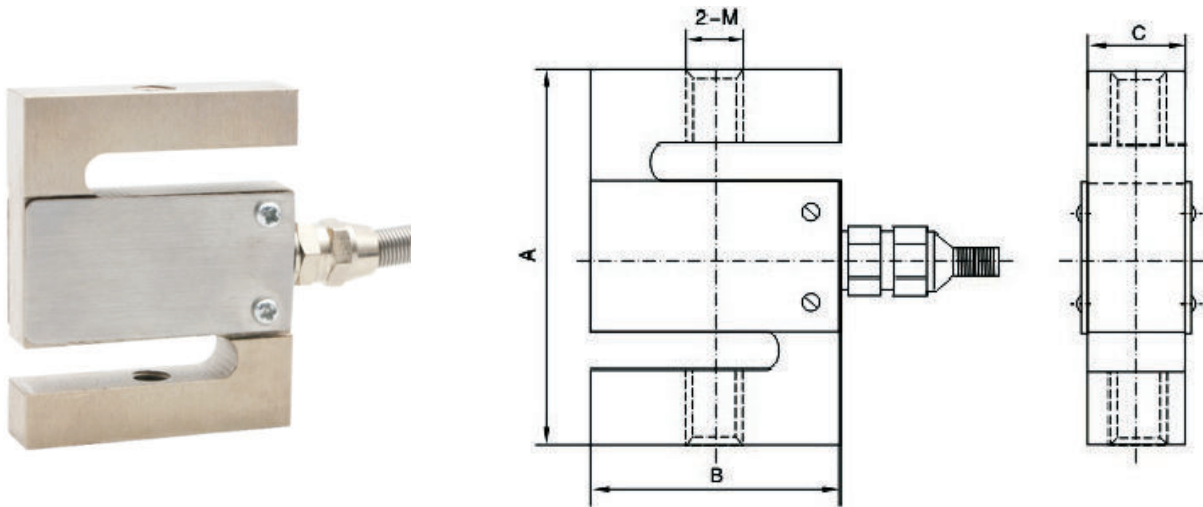


# S-type Load Cells



## GSL301



Rated load	Size(mm)					
	Conversion	A	B	C	mm	Inch
0.05~0.5	5~50kg	64	51	12.7	M8	1/4-28
1~7	100~700kg	76	51	19.1	M12	1/2-20
10~15	1~1.5t	76	51	25.4	M12	1/2-20
20~50	2~5t	108	76	25.4	M20	3/4-16
75~100	7.5~10t	178	127	51	M30	1 1/4-12
200	20t	188	140	60	M36×3	1 1/2-12

### FEATURES

- Alloy steel material, tension and pressure can be measured in both directions;
- Rubber seal, nickel plated, waterproof and anti-corrosion;
- Suitable for electronic hook scale, batching scale, packing scale, mechanical testing machine.

## SPECIFICATION

Rated Load	0.05~200(kN)		
Comprehensive Error	$\pm 0.02 \sim 0.05\% \text{F.S}$	Excitation, Recommended	10VDC
Rated Output	2.0mV/V	Safe Overload	150%F.S
Zero Balance	$\pm 1.0\% \text{F.S}$	Ultimate Overload	200%F.S
Creep	$\pm 0.02\% \text{F.S}/30\text{min}$	Insulation Resistance	$\geq 5000\text{M}\Omega(50\text{VDC})$
Input Resistance	$380 \pm 10\Omega$	Cable	4-Wire Shielded Cable
Output Resistance	$350 \pm 3\Omega$	Cable Length	<5t, 3m; $\geq 5\text{t}$ , 6m
Temp.Effect on Output	$\pm 0.02\% \text{F.S}/10^\circ\text{C}$	Ingress Protection	IP65
Temp.Effect on Zero	$\pm 0.02\% \text{F.S}/10^\circ\text{C}$	Wiring Code	Exc+: Red Exc-: Black
Operating Temp.Rang	-20 ~ +65 $^\circ\text{C}$		Sig+: Green Sig-: White