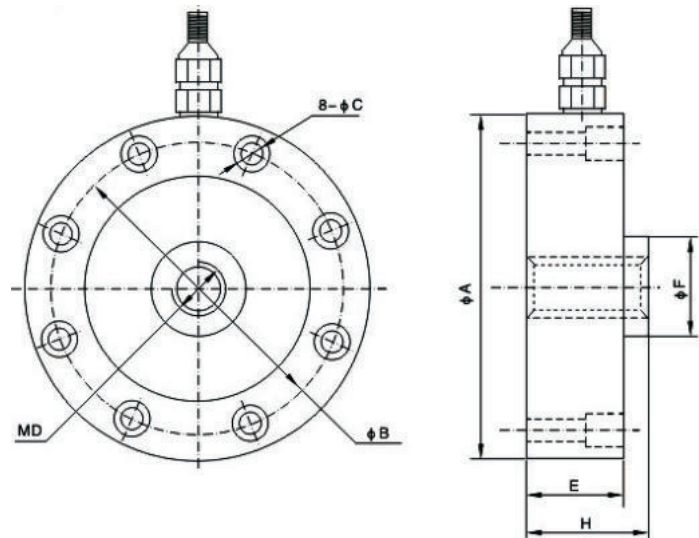
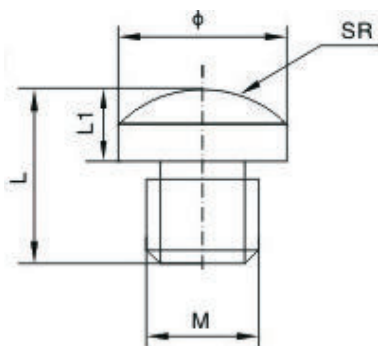


GSS406



Rated load		Size(mm)						
kN	t	ϕA	ϕB	ϕC	ϕF	MD	H	E
5~70	0.5~7	105	88.9	6.5	32	M16*1.5	37	34
100~250	10~25	125	101.6	8.5	39	M32*1.5	52	48
300~500	30~50	145	116.8	10.5	50	M40*1.5	58	54
600~1000	60~100	205	162	12.5	80	M60*2	85	78
2000	200	296	245	22	136	M90*3	105	100



Rated load		Size(mm)				
kN	t	ϕ	L1	L	M	SR
5~70	0.5~7	31	13	28	M16*1.5	80
100~250	10~25	38	24	51	M32*1.5	120
300~500	30~50	50	32	62	M40*1.5	200
600~1000	60~100	80	42	80	M60*2	280
2000	200	130	55	110	M90*3	400

FEATURES

- Alloy steel material, rubber seal, nickel plated, waterproof and anti-corrosion;
- Low height, good rigidity, high precision, load-deflection resistance is strong;
- Suitable for belt scale, hopper scale, tank, material mechanics testing machine and other occasions.

SPECIFICATION

Rated Load	5~2000(kN)		
Comprehensive Error	$\pm 0.05 \sim 0.1\% \text{F.S}$	Excitation, Recommended	10VDC
Rated Output	2.0mV/V	Safe Overload	150%F.S
Zero Balance	$\pm 1.0\% \text{F.S}$	Ultimate Overload	200%F.S
Creep	$\pm 0.05\% \text{F.S}/30\text{min}$	Insulation Resistance	$\geq 5000\text{M}\Omega(50\text{VDC})$
Input Resistance	$380 \pm 10\Omega$ or $750 \pm 15\Omega$	Cable	4-Wire Shielded Cable
Output Resistance	$350 \pm 3\Omega$ or $700 \pm 5\Omega$	Cable Length	<5t, 3m; $\geq 5\text{t}$, 6m
Temp.Effect on Output	$\pm 0.05\% \text{F.S}/10^\circ\text{C}$	Ingress Protection	IP65
Temp.Effect on Zero	$\pm 0.05\% \text{F.S}/10^\circ\text{C}$	Wiring Code	Exc+: Red Exc-: Black
Operating Temp.Rang	-20 ~ +65 $^\circ\text{C}$		Sig+: Green Sig-: White